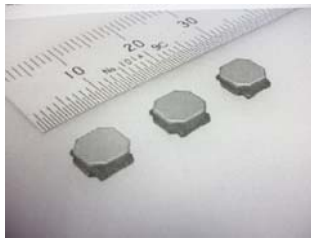
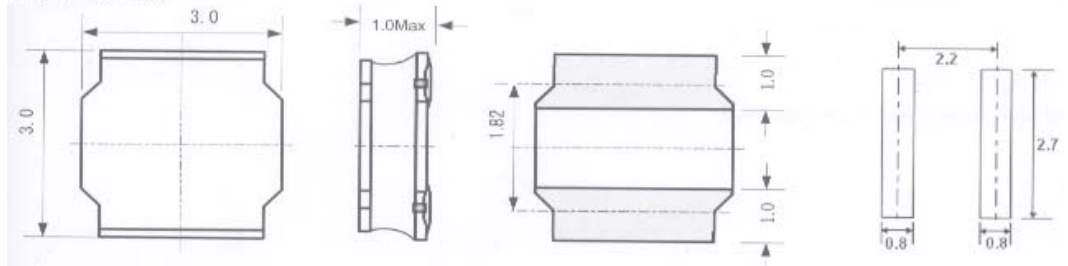


YKNR3010



Unit: mm
Tolerance: ±0.3



特征:

- 轻便薄小
- 大电流低直流阻抗
- 直接在磁芯上金属化电极，抗跌落冲击强，经久耐用
- 闭合磁路结构设计，漏磁少，抗 EMI 能力强
- 省空间，更省电
- 广泛应用于 LED 背光板、平板电视、蓝光 DVD 机顶盒、笔记本电脑、台式电脑、服务器、显卡、便携式游戏机、个人导航系统、多媒体、汽车产品、通信设备、直流转换。

FEATURES:

- Compact and thin.
- Large Current and Low DCR.
- Metallization on Ferrite Core results in excellent shock resistance and damage-free durability
- Closed magnetic circuit design reduces leakage flux and Electro Magnetic Interference (EMI)
- Takes up less PCB real estate and save more power
- LED backlight、Flat-screen TVs, blue-ray disc recorders, set top box、Notebooks, desktop computers, servers, graphic cards、Portable gaming devices, personal navigation systems, personal multimedia devices, Automotive systems Telecomm base station、DC-DC converter

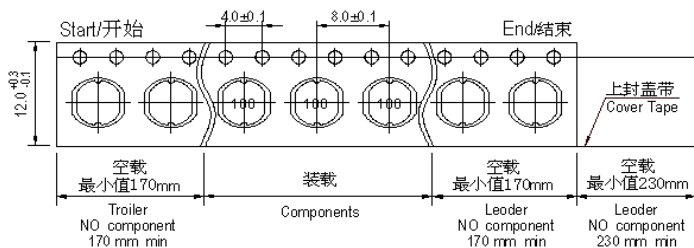
Inductance Range/电感范围: 1.0μH~47μH.

Temperature Range/使用温度: -30℃~100℃.

Electrical Characteristics/电气特性

Part No. 名称	Inductance 电感(μH)	Test Condition 测试条件	Tolerance 公差(%)	DC Resistance 直流电阻Max (Ω)	Rated Current 额定电流(A)
YKNR3010-1R0	1.00	100KHz,1.0	±30	0.065	1.30
YKNR3010-1R5	1.50	100KHz,1.0	±30	0.080	1.20
YKNR3010-2R2	2.20	100KHz,1.0	±30	0.095	1.10
YKNR3010-3R3	3.30	100KHz,1.0	±30	0.140	0.87
YKNR3010-4R7	4.70	100KHz,1.0	±30	0.190	0.75
YKNR3010-6R8	6.80	100KHz,1.0	±30	0.300	0.61
YKNR3010-100	10.00	100KHz,1.0	±20	0.450	0.50
YKNR3010-150	15.00	100KHz,1.0	±20	0.740	0.40
YKNR3010-220	22.00	100KHz,1.0	±20	1.030	0.35
YKNR3010-330	33.00	100KHz,1.0	±20	1.550	0.26
YKNR3010-470	47.00	100KHz,1.0	±20	2.050	0.22

Packaging/包装方式 5000 PCS/REEL



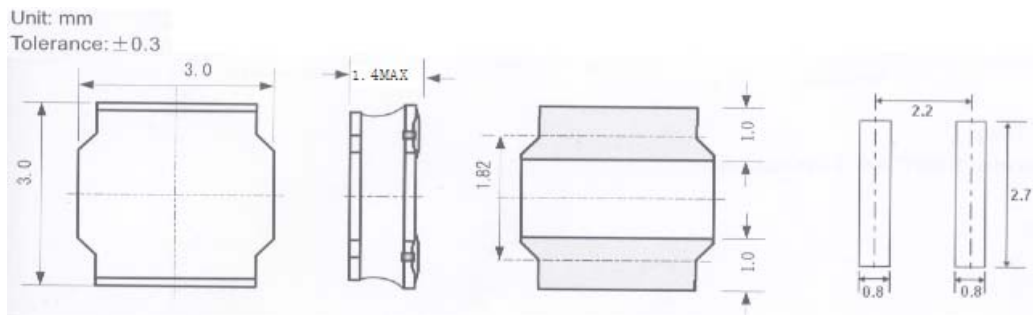
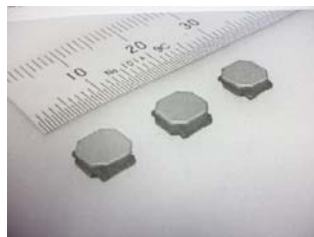
Sans Plomb (SGS Certified Result) 本产品满足环境保护要求(有害物质限用)					
pb 铅	Cd 镉	Cd 汞	六价铬 Cr+6	多溴联苯 PBBs	多溴联醚 PBDEs
<1000PPm	Nd	Nd	Nd	Nd	Nd

- 1、Inductance is measured with a LCR meter: VR1153 LCR +DCR or equivalent. Test frequency at 100KHz.
- 2、DC resistance is measured with a Digital Multimeter VR1153 LCR+DCR or equivalent.
- 3、The DC Bias test with VR1153 & VR7210, The maximum allowable current is a DC current which causes initial inductance to decrease by 25%. or temperature to rise by 40℃, whichever is smaller. (At ambient reference temperature: 20℃).

- 1、电感值测试仪: VR1153 LCR+DCR 或同等 LCR Meter. 测试频率 100KHz.
- 2、直流电阻测试仪: VR1153 LCR+DCR 或同等的 DCR 测试设备.
- 3、最大容许电流测试: VR1153 & VR7210; 最大容许电流定义: 电感下降 25% 或温度上升 40℃ 时取其小值作为最大容许电流。(周围环境温度 20℃).



YKNR3012



特征:

- 轻便薄小
- 大电流低直流阻抗
- 直接在磁芯上金属化电极，抗跌落冲击强，经久耐用
- 闭合磁路结构设计，漏磁少，抗 EMI 能力强
- 省空间，更省电
- 广泛应用于 LED 背光板、平板电视、蓝光 DVD 机顶盒、笔记本电脑、台式电脑、服务器、显卡、便携式游戏机、个人导航系统、多媒体、汽车产品、通信设备、直流转换。

FEATURES:

- Compact and thin.
- Large Current and Low DCR.
- Metallization on Ferrite Core results in excellent shock resistance and damage-free durability
- Closed magnetic circuit design reduces leakage flux and Electro Magnetic Interference (EMI)
- Takes up less PCB real estate and save more power
- LED backlight、Flat-screen TVs, blue-ray disc recorders, set top box、Notebooks, desktop computers, servers, graphic cards、Portable gaming devices, personal navigation systems, personal multimedia devices, Automotive systems Telecom base station、DC-DC converter

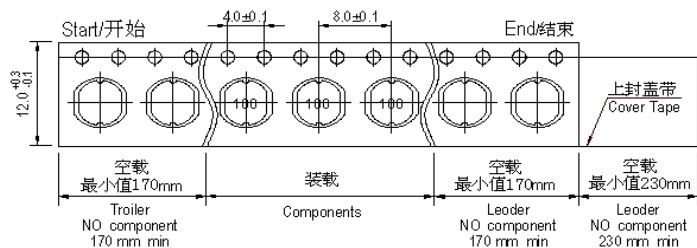
Inductance Range/电感范围: 1.0μH~47μH.

Temperature Range/使用温度: -30℃~100℃.

Electrical Characteristics/电气特性

Part No. 名称	Inductance 电感(μH)	Test Condition 测试条件	Tolerance 公差(%)	DC Resutance 直流电阻Max (Ω)	Rated Current 额定电流(A)
YKNR3012-1R0	1.00	100KHz, 1.0	±30	0.050	1.50
YKNR3012-1R5	1.50	100KHz, 1.0	±30	0.060	1.36
YKNR3012-2R2	2.20	100KHz, 1.0	±30	0.080	1.10
YKNR3012-3R3	3.30	100KHz, 1.0	±30	0.100	0.91
YKNR3012-4R7	4.70	100KHz, 1.0	±30	0.130	0.77
YKNR3012-6R8	6.80	100KHz, 1.0	±30	0.190	0.67
YKNR3012-100	10.00	100KHz, 1.0	±20	0.290	0.54
YKNR3012-150	15.00	100KHz, 1.0	±20	0.450	0.44
YKNR3012-220	22.00	100KHz, 1.0	±20	0.630	0.38
YKNR3012-330	33.00	100KHz, 1.0	±20	1.030	0.31
YKNR3012-470	47.00	100KHz, 1.0	±20	1.450	0.25

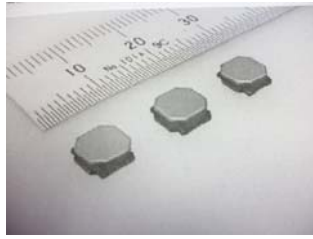
Packaging/包装方式 5000 PCS/REEL



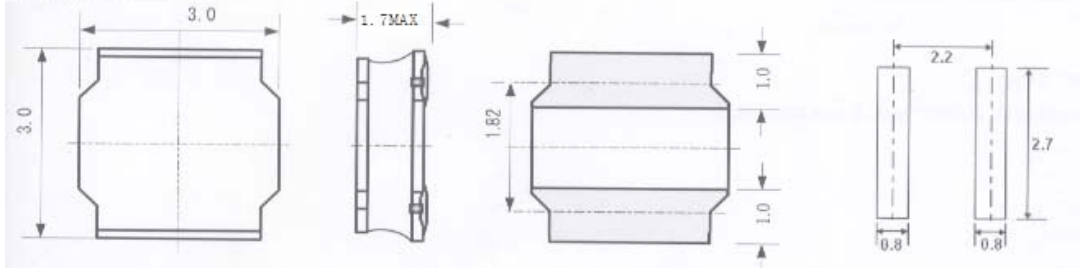
Sans Plomb (SGS Certified Result) 本产品满足环境保护要求(有害物质限用)					
pb 铅	Cd 镉	Cd 汞	六价铬 Cr+6	多溴联苯 PBBs	多溴联醚 PBDEs
<1000PPm	Nd	Nd	Nd	Nd	Nd

- 1、Inductance is measured with a LCR meter: VR1153 LCR +DCR or equivalent. Test frequency at 100KHz.
 - 2、DC resistance is measured with a Digital Multimeter VR1153 LCR+DCR or equivalent.
 - 3、The DC Bias test with VR1153 & VR7210, The maximum allowable current is a DC current which causes initial inductance to decrease by 25%. or temperature to rise by 40℃, whichever is smaller. (At ambient reference temperature: 20℃).
- 1、电感值测试仪: VR1153 LCR+DCR 或同等 LCR Meter. 测试频率 100KHz.
 - 2、直流电阻测试仪: VR1153 LCR+DCR 或同等的 DCR 测试设备。
 - 3、最大容许电流测试: VR1153 & VR7210; 最大容许电流定义: 电感下降 25%或温度上升 40℃时取其小值作为最大容许电流。(周围环境温度 20℃)。

YKNR3015



Unit: mm
Tolerance: ±0.3



特征:

- 轻便薄小
- 大电流低直流阻抗
- 直接在磁芯上金属化电极，抗跌落冲击强，经久耐用
- 闭合磁路结构设计，漏磁少，抗 EMI 能力强
- 省空间，更省电
- 广泛应用于 LED 背光板、平板电视、蓝光 DVD 机顶盒、笔记本电脑、台式电脑、服务器、显卡、便携式游戏机、个人导航系统、多媒体、汽车产品、通信设备、直流转换。

FEATURES:

- Compact and thin.
- Large Current and Low DCR.
- Metallization on Ferrite Core results in excellent shock resistance and damage-free durability
- Closed magnetic circuit design reduces leakage flux and Electro Magnetic Interference (EMI)
- Takes up less PCB real estate and save more power
- LED backlight、Flat-screen TVs, blue-ray disc recorders, set top box、Notebooks, desktop computers, servers, graphic cards、Portable gaming devices, personal navigation systems, personal multimedia devices, Automotive systems Telecom base station、DC-DC converter

Inductance Range/电感范围: 1.0μH~47μH.

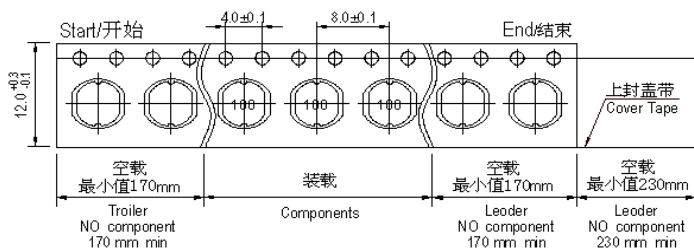
Temperature Range/使用温度: -30℃~100℃.

Electrical Characteristics/电气特性

Part No. 名称	Inductance 电感(μH)	Test Condition 测试条件	Tolerance 公差(%)	DC Resutance 直流电阻Max (Ω)	Rated Current 额定电流(A)
YKNR3015-1R0	1.00	100KHz, 1.0	±30	0.030	2.100
YKNR3015-1R5	1.50	100KHz, 1.0	±30	0.040	1.800
YKNR3015-2R2	2.20	100KHz, 1.0	±30	0.060	1.480
YKNR3015-3R3	3.30	100KHz, 1.0	±30	0.080	1.210
YKNR3015-4R7	4.70	100KHz, 1.0	±30	0.120	1.020
YKNR3015-6R8	6.80	100KHz, 1.0	±30	0.160	0.870
YKNR3015-100	10.00	100KHz, 1.0	±20	0.230	0.700
YKNR3015-150	15.00	100KHz, 1.0	±20	0.360	0.560
YKNR3015-220	22.00	100KHz, 1.0	±20	0.520	0.470
YKNR3015-330	33.00	100KHz, 1.0	±20	0.840	0.390
YKNR3015-470	47.00	100KHz, 1.0	±20	1.340	0.320

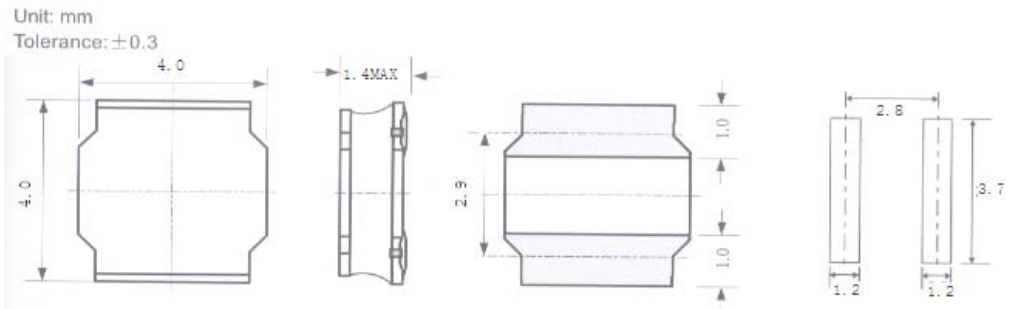
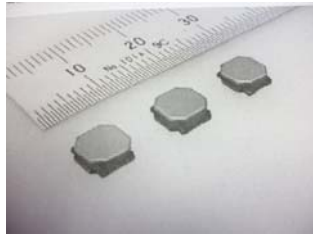
Sans Plomb (SGS Certified Result) 本产品满足环境保护要求 (有害物质限用)					
pb 铅	Cd 镉	Cd 汞	六价铬 Cr+6	多溴联苯 PBBs	多溴联醚 PBDEs
<1000PPm	Nd	Nd	Nd	Nd	Nd

Packaging/包装方式 5000PCS/REEL



- 1、Inductance is measured with a LCR meter: VR1153 LCR +DCR or equivalent. Test frequency at 100KHz.
 - 2、DC resistance is measured with a Digital Multimeter VR1153 LCR+DCR or equivalent.
 - 3、The DC Bias test with VR1153 & VR7210, The maximum allowable current is a DC current which causes initial inductance to decrease by 25%. or temperature to rise by 40℃, whichever is smaller. (At ambient reference temperature: 20℃).
- 1、电感值测试仪: VR1153 LCR+DCR 或同等 LCR Meter. 测试频率 100KHz.
 - 2、直流电阻测试仪: VR1153 LCR+DCR 或同等的 DCR 测试设备。
 - 3、最大容许电流测试: VR1153 & VR7210; 最大容许电流定义: 电感下降 25% 或温度上升 40℃ 时取其小值作为最大容许电流。(周围环境温度 20℃)。

YKNR4012



特征:

- 轻便薄小
- 大电流低直流阻抗
- 直接在磁芯上金属化电极，抗跌落冲击强，经久耐用
- 闭合磁路结构设计，漏磁少，抗 EMI 能力强
- 省空间，更省电
- 广泛应用于 LED 背光板、平板电视、蓝光 DVD 机顶盒、笔记本电脑、台式电脑、服务器、显卡、便携式游戏机、个人导航系统、多媒体、汽车产品、通信设备、直流转换。

FEATURES:

- Compact and thin.
- Large Current and Low DCR.
- Metallization on Ferrite Core results in excellent shock resistance and damage-free durability
- Closed magnetic circuit design reduces leakage flux and Electro Magnetic Interference (EMI)
- Takes up less PCB real estate and save more power
- LED backlight、Flat-screen TVs, blue-ray disc recorders, set top box、Notebooks, desktop computers, servers, graphic cards、Portable gaming devices, personal navigation systems, personal multimedia devices, Automotive systems Telecom base station、DC-DC converter

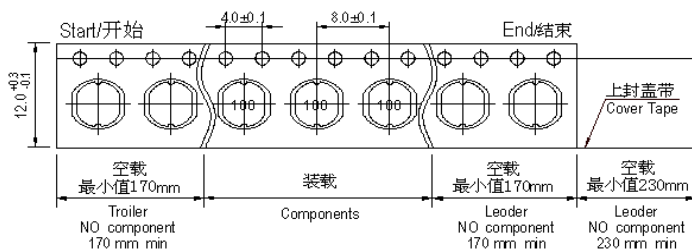
Inductance Range/电感范围: 1.0μH~47μH.

Temperature Range/使用温度: -30℃~100℃.

Electrical Characteristics/电气特性

Part No. 名称	Inductance 电感(μH)	Test Condition 测试条件	Tolerance 公差(%)	DC Resistance 直流电阻Max (Ω)	Rated Current 额定电流(A)
YKNR4012-1R0	1.00	100KHz,1.0	±30	0.060	2.500
YKNR4012-2R2	2.20	100KHz,1.0	±30	0.090	1.650
YKNR4012-3R3	3.30	100KHz,1.0	±30	0.130	1.200
YKNR4012-4R7	4.70	100KHz,1.0	±30	0.140	1.050
YKNR4012-6R8	6.80	100KHz,1.0	±30	0.180	0.900
YKNR4012-100	10.00	100KHz,1.0	±20	0.240	0.740
YKNR4012-150	15.00	100KHz,1.0	±20	0.400	0.560
YKNR4012-220	22.00	100KHz,1.0	±20	0.480	0.510
YKNR4012-330	33.00	100KHz,1.0	±20	0.810	0.400
YKNR4012-470	47.00	100KHz,1.0	±20	1.000	0.350

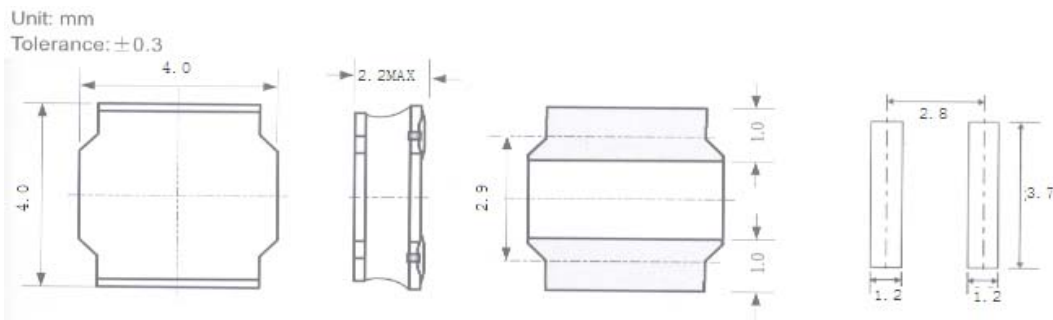
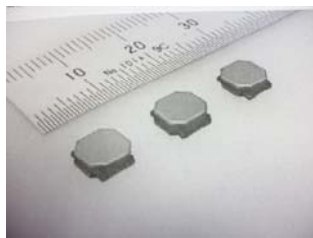
Packaging/包装方式 4500PCS/REEL



Sans Plomb (SGS Certified Result) 本产品满足环境保护要求(有害物质限用)					
pb 铅	Cd 镉	Cd 汞	六价铬 Cr+6	多溴联苯 PBBs	多溴联醚 PBDEs
<1000PPm	Nd	Nd	Nd	Nd	Nd

- 1、Inductance is measured with a LCR meter: VR1153 LCR +DCR or equivalent. Test frequency at 100KHz.
 - 2、DC resistance is measured with a Digital Multimeter VR1153 LCR+DCR or equivalent.
 - 3、The DC Bias test with VR1153 & VR7210, The maximum allowable current is a DC current which causes initial inductance to decrease by 25%. or temperature to rise by 40℃, whichever is smaller. (At ambient reference temperature: 20℃).
- 1、电感值测试仪: VR1153 LCR+DCR 或同等 LCR Meter. 测试频率 100KHz.
 - 2、直流电阻测试仪: VR1153 LCR+DCR 或同等的 DCR 测试设备。
 - 3、最大容许电流测试: VR1153 & VR7210; 最大容许电流定义: 电感下降 25% 或温度上升 40℃ 时取其小值作为最大容许电流。(周围环境温度 20℃)。

YKNR4020



特征:

- 轻便薄小
- 大电流低直流阻抗
- 直接在磁芯上金属化电极，抗跌落冲击强，经久耐用
- 闭合磁路结构设计，漏磁少，抗 EMI 能力强
- 省空间，更省电
- 广泛应用于 LED 背光板、平板电视、蓝光 DVD 机顶盒、笔记本电脑、台式电脑、服务器、显卡、便携式游戏机、个人导航系统、多媒体、汽车产品、通信设备、直流转换。

FEATURES:

- Compact and thin.
- Large Current and Low DCR.
- Metallization on Ferrite Core results in excellent shock resistance and damage-free durability
- Closed magnetic circuit design reduces leakage flux and Electro Magnetic Interference (EMI)
- Takes up less PCB real estate and save more power
- LED backlight、Flat-screen TVs, blue-ray disc recorders, set top box、Notebooks, desktop computers, servers, graphic cards、Portable gaming devices, personal navigation systems, personal multimedia devices, Automotive systems Telecom base station、DC-DC converter

Inductance Range/电感范围: 1.0μH~68μH.

Temperature Range/使用温度: -30℃~100℃.

Electrical Characteristics/电气特性

Part No. 名称	Inductance 电感(μH)	Test Condition 测试条件	Tolerance 公差(%)	DC Resistance 直流电阻Max (Ω)	Rated Current 额定电流(A)
YKNR4020-1R0	1.00	100KHz, 1.0	±30	0.030	4.000
YKNR4020-2R2	2.20	100KHz, 1.0	±30	0.060	2.700
YKNR4020-3R3	3.30	100KHz, 1.0	±30	0.070	2.000
YKNR4020-4R7	4.70	100KHz, 1.0	±30	0.090	1.700
YKNR4020-6R8	6.80	100KHz, 1.0	±30	0.110	1.450
YKNR4020-100	10.00	100KHz, 1.0	±20	0.180	1.200
YKNR4020-150	15.00	100KHz, 1.0	±20	0.250	0.940
YKNR4020-220	22.00	100KHz, 1.0	±20	0.360	0.800
YKNR4020-330	33.00	100KHz, 1.0	±20	0.530	0.650
YKNR4020-470	47.00	100KHz, 1.0	±20	0.650	0.570
YKNR4020-680	68.00	100KHz, 1.0	±20	1.000	0.470

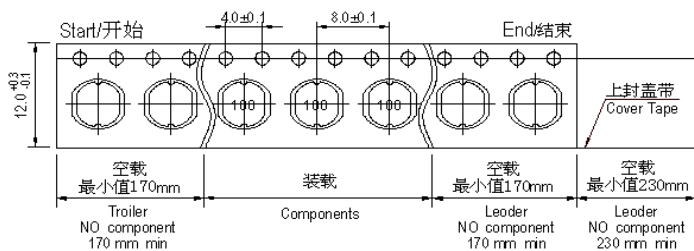
Sans Plomb (SGS Certified Result)
本产品满足环境保护要求(有害物质限用)



pb 铅	Cd 镉	Cd 汞	六价铬 Cr+6	多溴联苯 PBBs	多溴联醚 PBDEs
<1000PPm	Nd	Nd	Nd	Nd	Nd

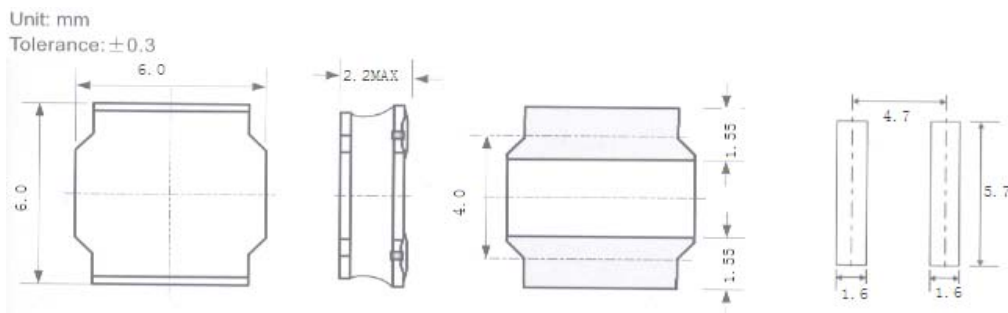
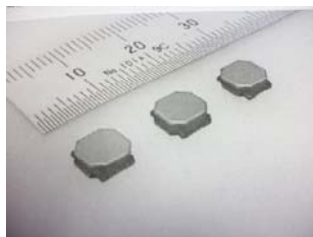
- 1、Inductance is measured with a LCR meter: VR1153 LCR +DCR or equivalent. Test frequency at 100KHz.
- 2、DC resistance is measured with a Digital Multimeter VR1153 LCR+DCR or equivalent.
- 3、The DC Bias test with VR1153 & VR7210, The maximum allowable current is a DC current which causes initial inductance to decrease by 25%. or temperature to rise by 40℃, whichever is smaller. (At ambient reference temperature: 20℃).

Packaging/包装方式 3000PCS/REEL



- 1、电感值测试仪: VR1153 LCR+DCR 或同等 LCR Meter. 测试频率 100KHz.
- 2、直流电阻测试仪: VR1153 LCR+DCR 或同等的 DCR 测试设备。
- 3、最大容许电流测试: VR1153 & VR7210; 最大容许电流定义: 电感下降 25%或温度上升 40℃时取其小值作为最大容许电流。(周围环境温度 20℃)。

YKNR6020



特征:

- 轻便薄小
- 大电流低直流阻抗
- 直接在磁芯上金属化电极，抗跌落冲击强，经久耐用
- 闭合磁路结构设计，漏磁少，抗 EMI 能力强
- 省空间，更省电
- 广泛应用于 LED 背光板、平板电视、蓝光 DVD 机顶盒、笔记本电脑、台式电脑、服务器、显卡、便携式游戏机、个人导航系统、多媒体、汽车产品、通信设备、直流转换。

FEATURES:

- Compact and thin.
- Large Current and Low DCR.
- Metallization on Ferrite Core results in excellent shock resistance and damage-free durability
- Closed magnetic circuit design reduces leakage flux and Electro Magnetic Interference (EMI)
- Takes up less PCB real estate and save more power
- LED backlight、Flat-screen TVs, blue-ray disc recorders, set top box、Notebooks, desktop computers, servers, graphic cards、Portable gaming devices, personal navigation systems, personal multimedia devices, Automotive systems Telecom base station、DC-DC converter

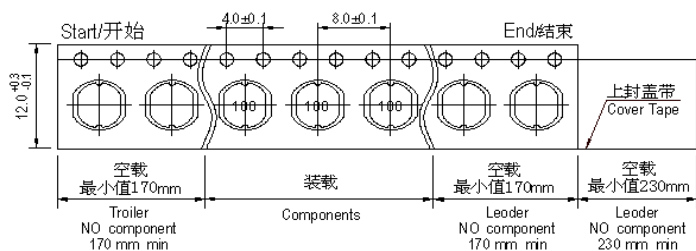
Inductance Range/电感范围: 0.8μH~22μH.

Temperature Range/使用温度: -30℃~100℃.

Electrical Characteristics/电气特性

Part No. 名称	Inductance 电感(μH)	Test Condition 测试条件	Tolerance 公差(%)	DC Resistance 直流电阻Max (Ω)	Rated Current 额定电流(A)
YKNR6020-0R8	0.80	100KHz, 1.0	±30	0.020	5.500
YKNR6020-1R5	1.50	100KHz, 1.0	±30	0.026	4.000
YKNR6020-2R2	2.20	100KHz, 1.0	±30	0.034	3.200
YKNR6020-3R3	3.30	100KHz, 1.0	±30	0.040	2.800
YKNR6020-4R7	4.70	100KHz, 1.0	±30	0.058	2.400
YKNR6020-6R8	6.80	100KHz, 1.0	±30	0.085	2.000
YKNR6020-100	10.00	100KHz, 1.0	±20	0.125	1.700
YKNR6020-220	22.00	100KHz, 1.0	±20	0.290	1.050

Packaging/包装方式 2500PCS/REEL



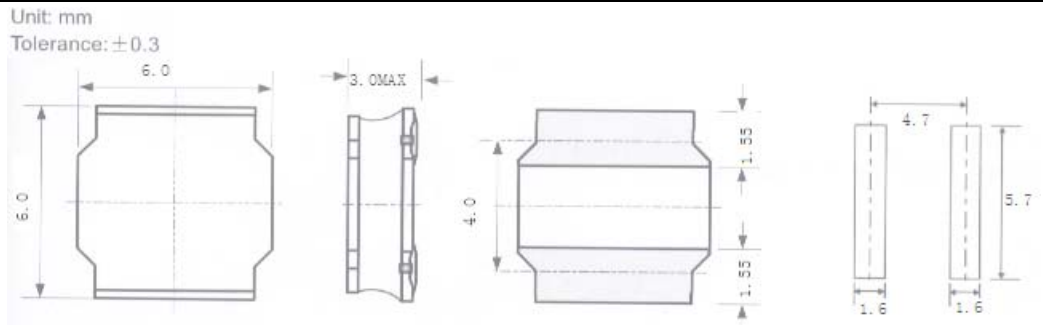
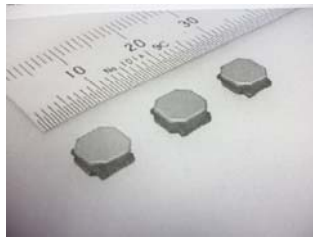
Sans Plomb (SGS Certified Result) 本产品满足环境保护要求(有害物质限用)					
pb 铅	Cd 镉	Cd 汞	六价铬 Cr+6	多溴联苯 PBBs	多溴联醚 PBDEs
<1000PPm	Nd	Nd	Nd	Nd	Nd

- 1、Inductance is measured with a LCR meter: VR1153 LCR +DCR or equivalent. Test frequency at 100KHz.
- 2、DC resistance is measured with a Digital Multimeter VR1153 LCR+DCR or equivalent.
- 3、The DC Bias test with VR1153 & VR7210, The maximum allowable current is a DC current which causes initial inductance to decrease by 25%. or temperature to rise by 40℃, whichever is smaller. (At ambient reference temperature: 20℃).

- 1、电感值测试仪: VR1153 LCR+DCR 或同等 LCR Meter. 测试频率 100KHz.
- 2、直流电阻测试仪: VR1153 LCR+DCR 或同等的 DCR 测试设备。
- 3、最大容许电流测试: VR1153 & VR7210; 最大容许电流定义: 电感下降 25%或温度上升 40℃时取其小值作为最大容许电流。(周围环境温度 20℃)。



YKNR6030



特征:

- 轻便薄小
- 大电流低直流阻抗
- 直接在磁芯上金属化电极，抗跌落冲击强，经久耐用
- 闭合磁路结构设计，漏磁少，抗 EMI 能力强
- 省空间，更省电
- 广泛应用于 LED 背光板、平板电视、蓝光 DVD 机顶盒、笔记本电脑、台式电脑、服务器、显卡、便携式游戏机、个人导航系统、多媒体、汽车产品、通信设备、直流转换。

FEATURES:

- Compact and thin.
- Large Current and Low DCR.
- Metallization on Ferrite Core results in excellent shock resistance and damage-free durability
- Closed magnetic circuit design reduces leakage flux and Electro Magnetic Interference (EMI)
- Takes up less PCB real estate and save more power
- LED backlight、Flat-screen TVs, blue-ray disc recorders, set top box、Notebooks, desktop computers, servers, graphic cards、Portable gaming devices, personal navigation systems, personal multimedia devices, Automotive systems Telecom base station、DC-DC converter

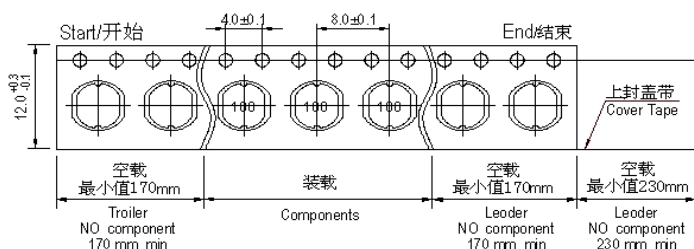
Inductance Range/电感范围: 0.9μH~100μH.

Temperature Range/使用温度: -30℃~100℃.

Electrical Characteristics/电气特性

Part No. 名称	Inductance 电感(μH)	Test Condition 测试条件	Tolerance 公差(%)	DC Resistance 直流电阻Max (Ω)	Rated Current 额定电流(A)
YKNR6030-0R9	0.90	100KHz,1.0	±30	0.013	6.600
YKNR6030-1R5	1.50	100KHz,1.0	±30	0.016	5.000
YKNR6030-2R2	2.20	100KHz,1.0	±30	0.020	4.200
YKNR6030-3R0	3.00	100KHz,1.0	±30	0.023	3.600
YKNR6030-4R7	4.70	100KHz,1.0	±30	0.031	2.700
YKNR6030-6R0	6.00	100KHz,1.0	±30	0.040	2.500
YKNR6030-100	10.00	100KHz,1.0	±20	0.065	1.900
YKNR6030-150	15.00	100KHz,1.0	±20	0.095	1.600
YKNR6030-220	22.00	100KHz,1.0	±20	0.135	1.300
YKNR6030-330	33.00	100KHz,1.0	±20	0.220	1.100
YKNR6030-470	47.00	100KHz,1.0	±20	0.300	0.950
YKNR6030-680	68.00	100KHz,1.0	±20	0.420	0.760
YKNR6030-101	100.00	100KHz,1.0	±20	0.600	0.620

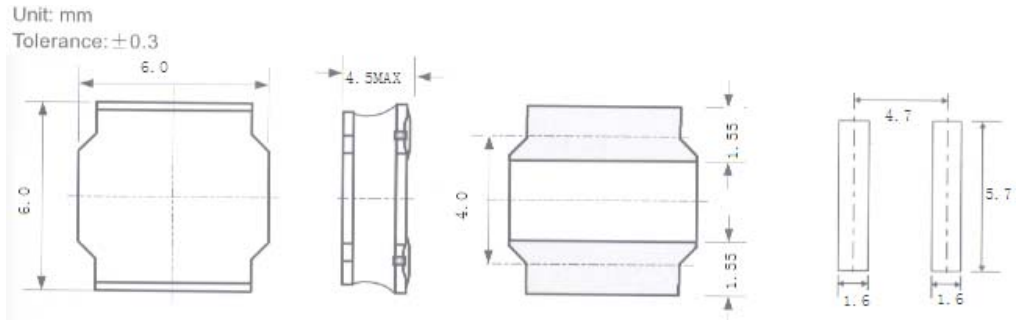
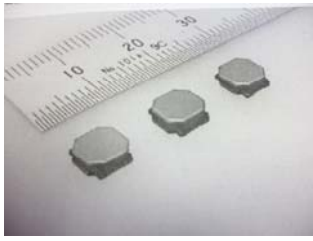
Packaging/包装方式 2000PCS/REEL



Sans Plomb (SGS Certified Result) 本产品满足环境保护要求(有害物质限用)					
pb 铅	Cd 镉	Cd 汞	六价铬 Cr+6	多溴联苯 PBBs	多溴联醚 PBDEs
<1000PPm	Nd	Nd	Nd	Nd	Nd

- 1、Inductance is measured with a LCR meter: VR1153 LCR +DCR or equivalent. Test frequency at 100KHz.
 - 2、DC resistance is measured with a Digital Multimeter VR1153 LCR+DCR or equivalent.
 - 3、The DC Bias test with VR1153 & VR7210, The maximum allowable current is a DC current which causes initial inductance to decrease by 25%. or temperature to rise by 40℃, whichever is smaller. (At ambient reference temperature: 20℃).
- 1、电感值测试仪: VR1153 LCR+DCR 或同等 LCR Meter. 测试频率 100KHz.
 - 2、直流电阻测试仪: VR1153 LCR+DCR 或同等的 DCR 测试设备.
 - 3、最大容许电流测试: VR1153 & VR7210; 最大容许电流定义: 电感下降 25% 或温度上升 40℃ 时取其小值作为最大容许电流。(周围环境温度 20℃).

YKNR6045



特征:

- 轻便薄小
- 大电流低直流阻抗
- 直接在磁芯上金属化电极，抗跌落冲击强，经久耐用
- 闭合磁路结构设计，漏磁少，抗 EMI 能力强
- 省空间，更省电
- 广泛应用于 LED 背光板、平板电视、蓝光 DVD 机顶盒、笔记本电脑、台式电脑、服务器、显卡、便携式游戏机、个人导航系统、多媒体、汽车产品、通信设备、直流转换。

FEATURES:

- Compact and thin.
- Large Current and Low DCR.
- Metallization on Ferrite Core results in excellent shock resistance and damage-free durability
- Closed magnetic circuit design reduces leakage flux and Electro Magnetic Interference (EMI)
- Takes up less PCB real estate and save more power
- LED backlight、Flat-screen TVs, blue-ray disc recorders, set top box、Notebooks, desktop computers, servers, graphic cards、Portable gaming devices, personal navigation systems, personal multimedia devices, Automotive systems Telecom base station、DC-DC converter

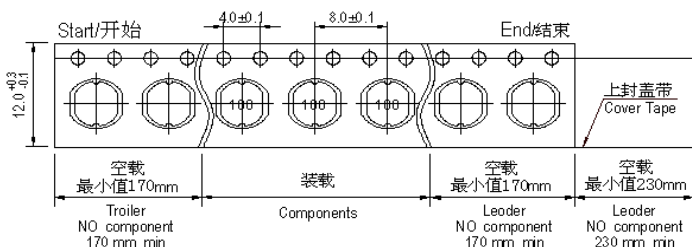
Inductance Range/电感范围: 1.0μH~100μH.

Temperature Range/使用温度: -30℃~100℃.

Electrical Characteristics/电气特性

Part No. 名称	Inductance 电感(μH)	Test Condition 测试条件	Tolerance 公差(%)	DC Resistance 直流电阻Max (Ω)	Rated Current 额定电流(A)
YKNR6045-1R0	1.00	100KHz,1.0	±30	0.014	8.500
YKNR6045-1R3	1.30	100KHz,1.0	±30	0.016	8.000
YKNR6045-1R8	1.80	100KHz,1.0	±30	0.018	7.000
YKNR6045-2R3	2.30	100KHz,1.0	±30	0.021	6.000
YKNR6045-3R0	3.00	100KHz,1.0	±30	0.024	5.000
YKNR6045-4R5	4.50	100KHz,1.0	±30	0.031	4.000
YKNR6045-6R3	6.30	100KHz,1.0	±30	0.038	3.800
YKNR6045-100	10.00	100KHz,1.0	±20	0.047	3.000
YKNR6045-150	15.00	100KHz,1.0	±20	0.077	2.300
YKNR6045-220	22.00	100KHz,1.0	±20	0.115	1.900
YKNR6045-330	33.00	100KHz,1.0	±20	0.145	1.500
YKNR6045-470	47.00	100KHz,1.0	±20	0.220	1.300
YKNR6045-680	68.00	100KHz,1.0	±20	0.330	1.000
YKNR6045-101	100.00	100KHz,1.0	±20	0.500	0.800

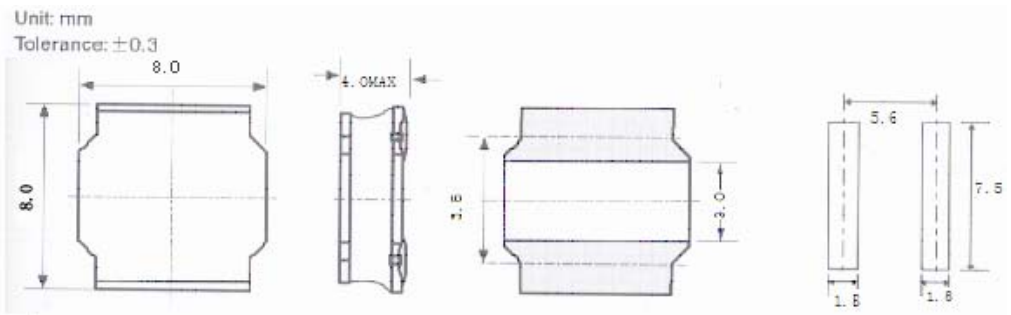
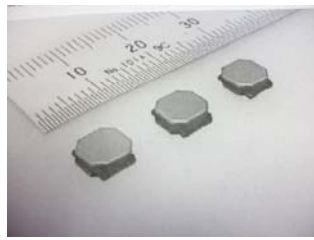
Packaging/包装方式 1500PCS/REEL



Sans Plomb (SGS Certified Result) 本产品满足环境保护要求(有害物质限用)					
pb 铅	Cd 镉	Cd 汞	六价铬 Cr+6	多溴联苯 PBBs	多溴联醚 PBDEs
<1000PPm	Nd	Nd	Nd	Nd	Nd

- 1、Inductance is measured with a LCR meter: VR1153 LCR +DCR or equivalent. Test frequency at 100KHz.
 - 2、DC resistance is measured with a Digital Multimeter VR1153 LCR+DCR or equivalent.
 - 3、The DC Bias test with VR1153 & VR7210, The maximum allowable current is a DC current which causes initial inductance to decrease by 25%. or temperature to rise by 40℃, whichever is smaller. (At ambient reference temperature: 20℃).
- 1、电感值测试仪: VR1153 LCR+DCR 或同等 LCR Meter. 测试频率 100KHz.
 - 2、直流电阻测试仪: VR1153 LCR+DCR 或同等的 DCR 测试设备。
 - 3、最大容许电流测试: VR1153 & VR7210; 最大容许电流定义: 电感下降 25% 或温度上升 40℃ 时取其小值作为最大容许电流。(周围环境温度 20℃)。

YKNR8040



特征:

- 轻便薄小
- 大电流低直流阻抗
- 直接在磁芯上金属化电极，抗跌落冲击强，经久耐用
- 闭合磁路结构设计，漏磁少，抗 EMI 能力强
- 省空间，更省电
- 广泛应用于 LED 背光板、平板电视、蓝光 DVD 机顶盒、笔记本电脑、台式电脑、服务器、显卡、便携式游戏机、个人导航系统、多媒体、汽车产品、通信设备、直流转换。

FEATURES:

- Compact and thin.
- Large Current and Low DCR.
- Metallization on Ferrite Core results in excellent shock resistance and damage-free durability
- Closed magnetic circuit design reduces leakage flux and Electro Magnetic Interference (EMI)
- Takes up less PCB real estate and save more power
- LED backlight、Flat-screen TVs, blue-ray disc recorders, set top box、Notebooks, desktop computers, servers, graphic cards、Portable gaming devices, personal navigation systems, personal multimedia devices, Automotive systems Telecom base station、DC-DC converter

Inductance Range/电感范围: 0.9 μ H~100 μ H.

Temperature Range/使用温度: -30 $^{\circ}$ C~100 $^{\circ}$ C.

Electrical Characteristics/电气特性

Part No. 名称	Inductance 电感(μ H)	Test Condition 测试条件	Tolerance 公差(%)	DC Resuance 直流电阻Max (Ω)	Rated Current 额定电流(A)
YKNR8040-0R9	0.90	100KHz,1.0	± 30	0.006	6.600
YKNR8040-1R4	1.40	100KHz,1.0	± 30	0.007	5.000
YKNR8040-2R0	2.00	100KHz,1.0	± 30	0.009	4.200
YKNR8040-3R6	3.60	100KHz,1.0	± 30	0.015	3.600
YKNR8040-4R7	4.70	100KHz,1.0	± 30	0.018	2.700
YKNR8040-6R8	6.80	100KHz,1.0	± 30	0.025	2.500
YKNR8040-100	10.00	100KHz,1.0	± 20	0.034	1.900
YKNR8040-150	15.00	100KHz,1.0	± 20	0.050	1.600
YKNR8040-220	22.00	100KHz,1.0	± 20	0.066	1.300
YKNR8040-330	33.00	100KHz,1.0	± 20	0.100	1.100
YKNR8040-470	47.00	100KHz,1.0	± 20	0.150	0.950
YKNR8040-680	68.00	100KHz,1.0	± 20	0.230	0.760
YKNR8040-101	100.00	100KHz,1.0	± 20	0.290	0.620

Sans Plomb (SGS Certified Result) 本产品满足环境保护要求(有害物质限用)					
pb 铅	Cd 镉	Cd 汞	六价铬 Cr+6	多溴联苯 PBBs	多溴联醚 PBDEs
<1000PPm	Nd	Nd	Nd	Nd	Nd

- 1、Inductance is measured with a LCR meter: VR1153 LCR +DCR or equivalent. Test frequency at 100KHz.
 - 2、DC resistance is measured with a Digital Multimeter VR1153 LCR+DCR or equivalent.
 - 3、The DC Bias test with VR1153 & VR7210, The maximum allowable current is a DC current which causes initial inductance to decrease by 25%. or temperature to rise by 40 $^{\circ}$ C, whichever is smaller. (At ambient reference temperature: 20 $^{\circ}$ C).
- 1、电感值测试仪: VR1153 LCR+DCR 或同等 LCR Meter. 测试频率 100KHz.
 - 2、直流电阻测试仪: VR1153 LCR+DCR 或同等的 DCR 测试设备。
 - 3、最大容许电流测试: VR1153 & VR7210; 最大容许电流定义: 电感下降 25% 或温度上升 40 $^{\circ}$ C 时取其小值作为最大容许电流。(周围环境温度 20 $^{\circ}$ C)。

Packaging/包装方式 1000 PCS/REEL

